

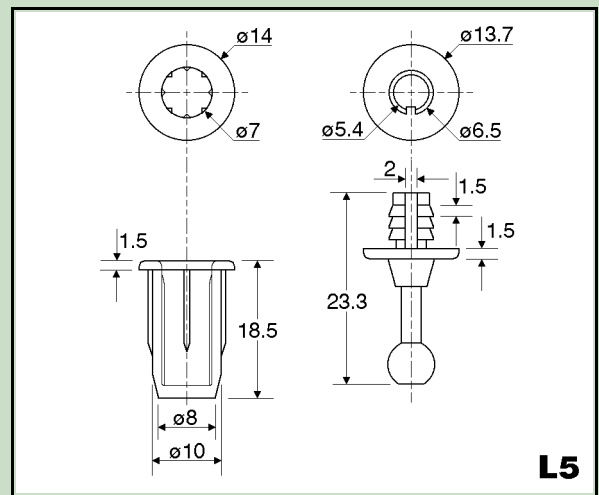
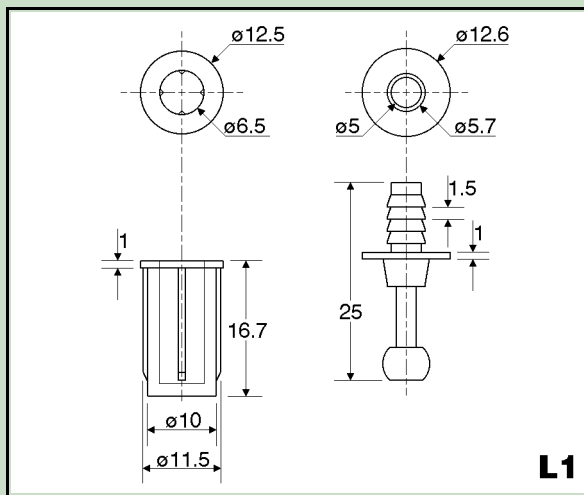
# Cabinet Fittings & Accessories

## Plug & Socket Fixings

A range of press-fit fixing devices based on a plug and socket giving quick-fit - quick-release for items such as loudspeaker grilleboards.

The traditional version (L1 & L5) has a long spigot topped by a small ball, gripped progressively by longitudinal ribs in a deep socket. This type allows for a small degree of movement in the final assembly - for example to allow a grilleboard to fit within a 'picture frame' surround, without requiring highly accurate fixing centres.

The plug portion is press-fixed in place and retained by rigid circumferential barb-like ribs. This type of fixing is more suited to use with a hard, dense material such as medium density fibreboard, or even thick metal. The socket is slightly tapered with longitudinal ribs to press-fit into a wooden hole.



The second type of plug & socket arrangement (L2 & L4) uses a larger sprung-ball which is gently but positively retained by a circumferential rib in the shallower socket.

The plug has large flexible fins which allow a firm press-fit into a wide range of materials. The socket is held in place by means of circumferential barbed ribs.

