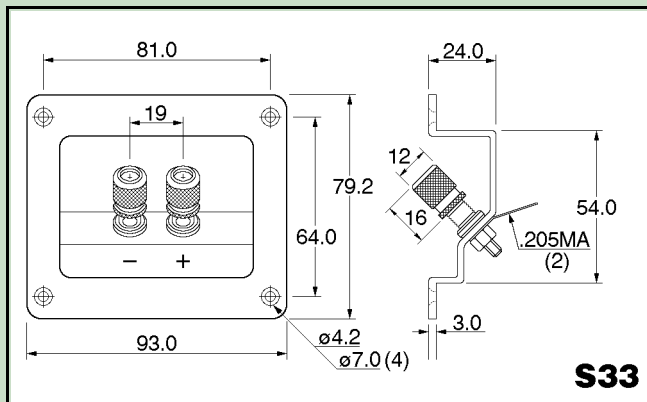


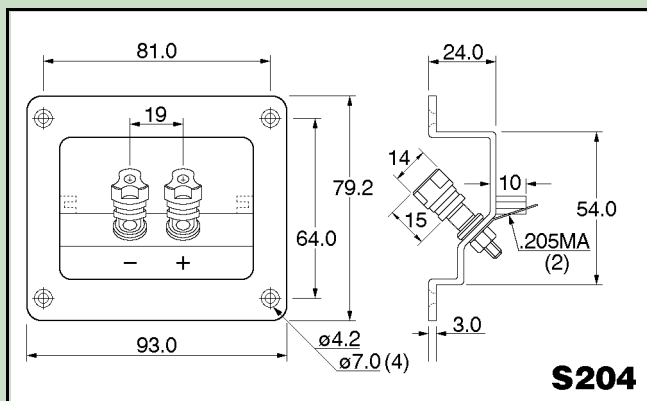
Cabinet Fittings & Accessories

Moulded Terminal Panels & Connectors



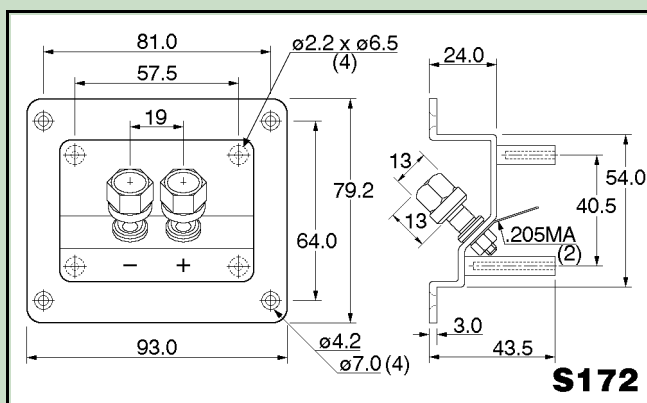
Single Terminal Panel S33

- Heavy duty ABS moulded panel
- High quality **Gold-Plated** binding posts with knurled caps accept 4mm plugs, spades and large diameter bare wire ends. Colour coded black and red. (Similar to type B35)
- Internal connection via push-on tags or soldering
- Gasket available



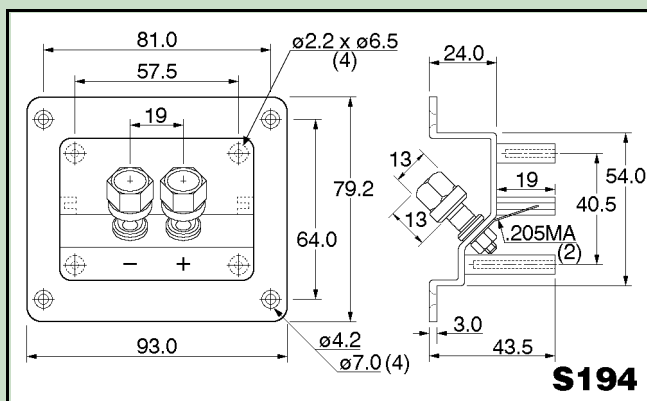
Single Terminal Panel S204

- Heavy duty ABS moulded panel
- High quality **Gold-Plated** binding posts with three-lobed caps accept 4mm plugs and bare wire ends colour coded black and red (similar to type B158)
- **Slide-in mounting** for small circuit board at right angle to panel. Board should be retained by soldering to binding post tags (and glue)
- Gasket available



Single Terminal Panel S172

- Heavy duty ABS moulded panel
- Binding posts with black and red plastic caps accept 4mm plugs, spades and large diameter bare wire ends. (Similar to type B1)
- **Screw fixing points (4)** for circuit board parallel to panel and enclosure wall
- Internal connection via push-on tags or soldering
- Gasket available



Single Terminal Panel S194

- Heavy duty ABS moulded panel
- Binding posts with black and red plastic caps accept 4mm plugs, spades and large diameter bare wire ends. (Similar to type B1)
- **Slide-in mounting** for circuit board at right angle to panel. Board should be retained by soldering to tags (and glue at slots)
- AND
- **Screw fixing points (4)** for circuit board
- Gasket available