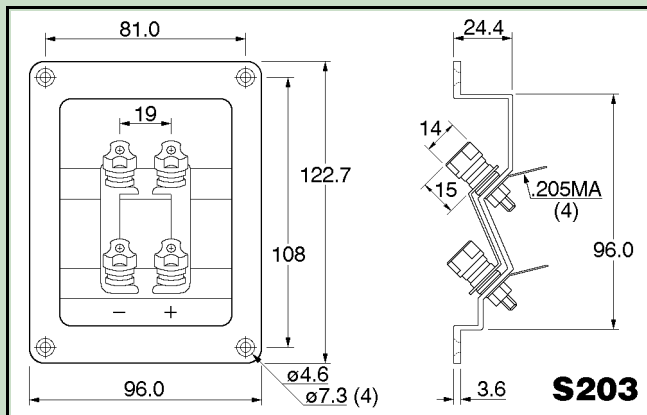


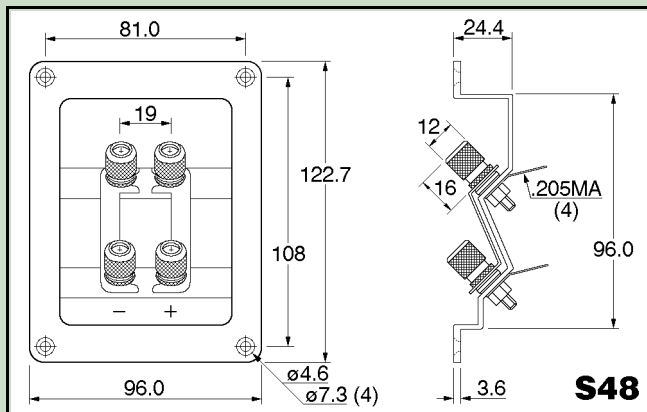
Cabinet Fittings & Accessories

Moulded Terminal Panels & Connectors



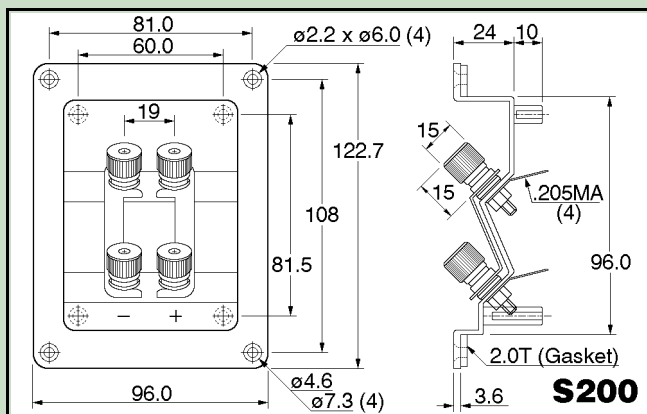
Twin Terminal Panel S203

- Substantial ABS moulded panel
- High quality **Gold-Plated** binding posts with three-lobed caps accept 4mm plugs, spades and large diameter bare wire ends. Colour coded black and red. (Similar to type B158)
- Suitable for bi-amplified systems
- Gold plated linking bar for single amplifier use
- Internal connection via push-on tags or soldering
- Gasket available



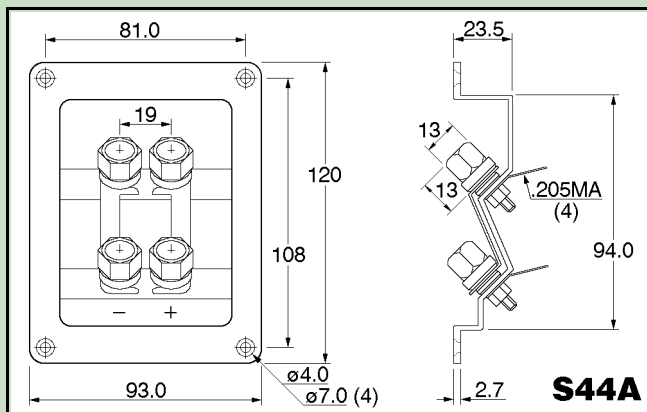
Twin Terminal Panel S48

- Substantial ABS moulded panel
- High quality **Gold-Plated** binding posts with knurled caps accept 4mm plugs, spades and large diameter bare wire ends. Colour coded black and red. (Similar to type B35)
- Suitable for bi-amplified systems
- Gold plated linking bar for single amplifier use
- Internal connection via push-on tags or soldering
- Gasket available



Twin Terminal Panel S200

- Substantial ABS moulded panel with **gasket**
- **Screw fixing points (4)** for circuit board
- High quality **Gold-Plated** binding posts with knurled caps accept 4mm plugs, spades and large diameter bare wire ends. Colour coded black and red. (Similar to type B108A)
- Suitable for bi-amplified systems
- Gold plated linking bar for single amplifier use
- Internal connection via push-on tags or soldering



Twin Terminal Panel S44A

- ABS moulded panel - slightly smaller and thinner than above versions
- **Gold-Plated** binding posts with black and red plastic caps accept 4mm plugs, spades and large diameter bare wire ends. (Similar to type B8)
- Suitable for bi-amplified systems
- Gold plated linking bar for single amplifier use
- Connection via push-on tags or soldering
- Gasket available